



gemini
ITALY

**22.2V CYCLONIC
CORDLESS
MULTI-FUNCTIONAL
VACUUM CLEANER**

**22.2V離心過濾
多功能無線吸塵機**

MODEL NO.: GVC22V



A GILMAN GROUP BRAND

Please read and retain for future reference.

SAFETY INSTRUCTION - GENERAL

- Use this appliance solely in accordance with these instructions.
- This appliance is for household use only, not for commercial purpose.
- Remove all packaging material from the appliance before use.
- This appliance shall not be used by children of 0 to 8-year old.
- This appliance can be used by children older than 8-year old and persons with reduced physical, sensory or mental capabilities or lack of experience and knowledge, but only if they have been given supervision or instruction concerning use of the appliance in safe way and understand the hazards involved.
- Children should be supervised to ensure that they do not play with the appliance.
- Cleaning and maintenance must not be done by children.
- Have any repairs carried out solely by a qualified electrician. Never try to repair the appliance yourself.
- Do not handle the plug or appliance with wet hands.
- Do not immerse the main body in water.
- Children shall not play with the appliance.
- Do not leave the appliance unattended when connected to the mains supply.
- Keep hair, loose clothing, fingers and all parts of the body away from openings of the appliance.
- Only use the attachments/accessories supplied with the product.

SAFETY INSTRUCTION - ELECTRICITY AND HEAT

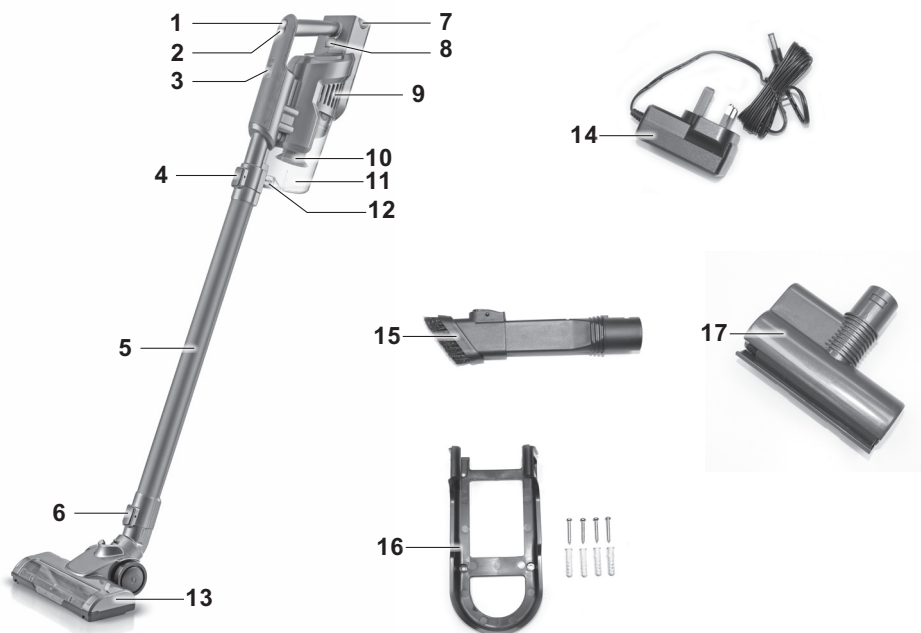
- Verify that the mains voltage is the same as that indicated on the rating plate on the appliance before use.
- Make sure that you always use a grounded wall socket to connect the appliance.
- Always remove the plug from the wall socket when the appliance is not in use.
- Remove the plug from the wall socket by pulling the plug, not the power cord.
- Make sure that the appliance, the power cord and plug do not make contact with water.
- Make sure that the appliance, the power cord and plug do not make contact with hot surface, such as a hot hob or naked flame.
- Check the appliance's power cord regularly to make sure it is not damaged. Do not use the appliance if the power cord is damaged. If the power cord is damaged, it must be replaced by an electrical technician or a person with similar qualification, in order to avoid any hazards.
- The appliance needs space to allow heat to escape, thereby preventing the risk of fire. Make sure that the appliance has sufficient space around it, and does not come in contact with flammable material. The appliance, the air vents must not be covered or blocked when use.

- Never use the appliance in the vicinity of flammable material.
- Certain part of the appliance may get hot, such as air outlet. Do not touch these part to prevent scalding yourself.

SAFETY INSTRUCTION - DURING OPERATION

- Make sure your hands are dry before touching the appliance, power cord or plug.
- Do not pick up the appliance if it falls into water. Remove the plug from the socket immediately. Do not use the appliance again.
- Never immerse the appliance, the power cord or the plug in water or any liquid.
- Clean the appliance thoroughly after every use (Please refer to “Cleaning and Storage”section.)
- The appliance can not aspirating an aqueous solution that may contain foaming detergent.
- Do not dismantle the vacuum cleaner while the motor is still operating.
- Never use the vacuum cleaner without the filter.
- Always keep the openings clean and prevent dust or dirt from blocking the air passage. Do not put any objects into openings. Do not use with any opening blocked until the obstacles removed.
- Never use the vacuum cleaner to suck up explosive, flammable or combustible liquids nor anything that may be still burning such as cigarette butts or ash/cinders. Never vacuum up toxic materials, organic solvents or acids.
- Never vacuum up solid, sharp or piercing objects that may damage the filter.
- Do not clean any parts in a dishwasher.
- The appliance must be disconnected from the supply mains when removing the battery

PRODUCT OVERVIEW



1. On-off button
2. Speed-change button
3. Battery level and charging indicator
4. Metal tube release button
5. Metal tube
6. Floor brush release button
7. Battery and battery compartment
8. Battery release button
9. Air outlet
10. Cyclone & filter
11. Dust container
12. Dust container release button
13. Motorized floor brush with LED headlights
14. Charger
15. 2-in-1 crevice nozzle
16. Wall mount with screws set
17. Motorized bed brush

CHARGING

Before using your vacuum cleaner for the first time, allow the battery to charge for approx. 5.5 hours. The battery needs to be placed in the battery compartment for charging unless the charger is disconnected.

Important note: Please note the vacuum cleaner can not start operation during charging

- When appliance is charging, the blue battery charging indicator light is flashing, when the three battery charging indicator lights static ON without flashing, it means the battery is fully charged.
- When the three blue battery charging indicator lights become to one or two indicator lights, it means the battery is gradually reduced. When the power is gradually reduced to the result that the appliance can not operating properly, the last blue battery charging indicator light line is flashing, it needs to be charging again.



Replace the battery

- If you need the a back up battery or the battery became more and more weak. You need to replace a new battery. Press the battery release button on the main unit .Then you can take out the battery and replace a new one.



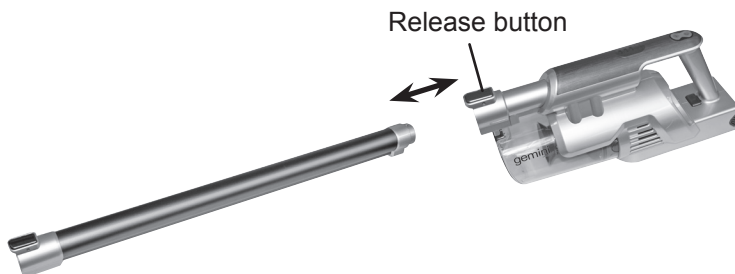
Battery release button

ASSEMBLY & OPERATING INSTRUCTION

After fully charging, press the power on/off button “⏻” to start operation, the vacuum cleaner will work under high speed (red indicator on) at the beginning, and can press speed “+/-” button once to change at the low speed (green indicator on). You can select the speed according to your cleaning. If you need to stop operation, press once on the on/off button “⏻”.

Assemble and Dis-assemble Handheld with metal tube

- Assemble: Insert the end of the metal tube into the main handheld unit, after hearing the click sound, then the metal tube installed in place.
- Dis-assemble: Use one hand to hold the metal tube, press the release button on the main handheld unit and remove the metal tube outwards.



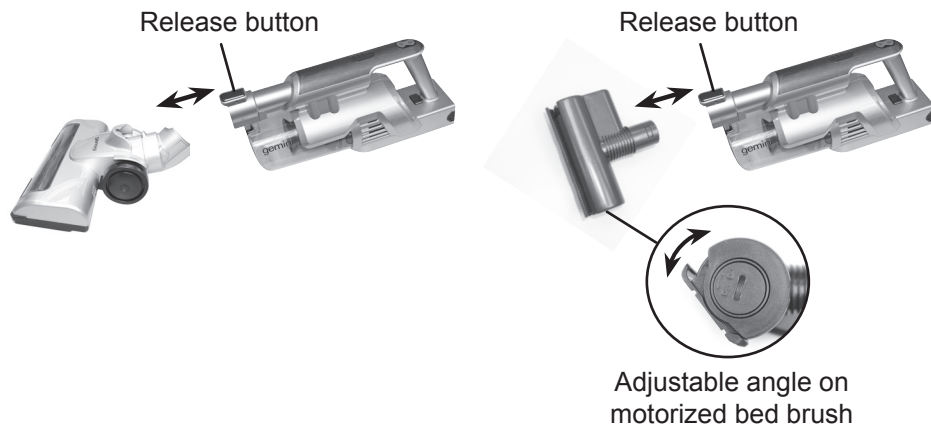
Assemble and Dis-assemble the floor brush

- Assemble: Insert the end of the motorized floor brush into the metal tube, after hearing the click sound, then motorized floor brush installed in place.
- Dis-assemble: Use one hand to hold the motorized floor brush, press the release button on the metal tube and remove the motorized floor brush outwards.



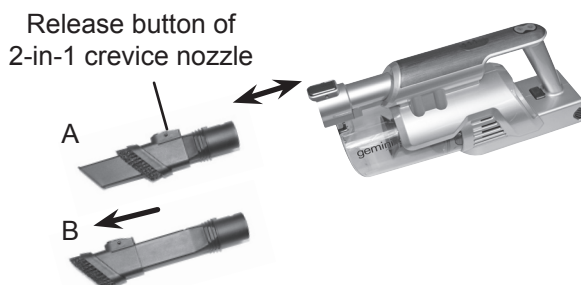
Motorized floor brush/ bed brush and the main handheld unit

- Assemble: Insert the end of the motorized floor brush/ bed brush into the main handheld unit, after hearing the click sound, then motorized floor brush/ bed brush installed in place.
- Dis-assemble: Use one hand to hold the motorized floor brush/ bed brush, press the release button on the main handheld unit and remove the motorized floor brush/ bed brush outwards.



2-in-1 Crevice tool assemble with handheld unit

- A: A crevice tool with a narrow nozzle, which you can use to clean window frames and crevices, etc.
- B: Push upwards the cleaning brush of 2-in-1 crevice tool, you can use to clean delicate or irregular surfaces, furniture, Venetian blinds, etc.



CLEANING AND STORAGE

Emptying the dust container

- Check that the appliance is switched off before cleaning any parts.
- Press the dust cover release button at the front of the dust container, and unfasten the dust container from the main handheld unit.
- Empty the dust container.
- If necessary, rinse the dust container with water gently, let it air-dry completely before reassemble.

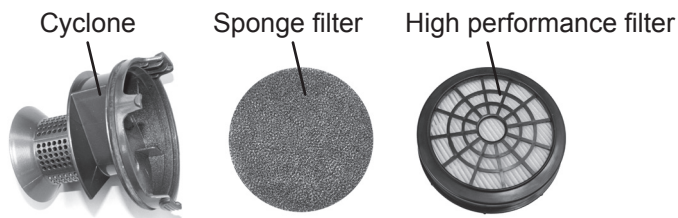
NOTE: The high-performance filter, sponge filter, cyclonic part can become blocked after some time and can thereby reduce the suction power. It is therefore important that the above mentioned filter determine to replace.



Cleaning or replacing the High-performance filter, sponge filter

The filters can become blocked after some time and can thereby reduce the suction power. It is therefore important that the above mentioned filter determine to replace.

- When you take off High-performance filter, you will find a sponge filter and please take it out too.
- Rinse the cyclone, high-performance filter, sponge filter with water gently, let them air-dry completely before reassemble.

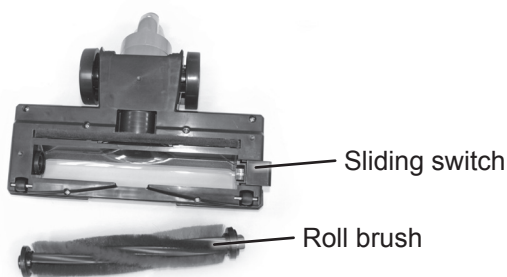


NOTE: Water could penetrate into the appliance if the filters are not thoroughly dry. This can result in electrical damage, poor suction performance and smelly during operation.

Clean the motorized floor brush

The Motorized floor brush can be possibly blocked by big objects or rape around by hair or long thread.it need to be clean the rolling brush timely.

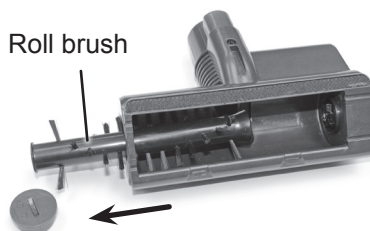
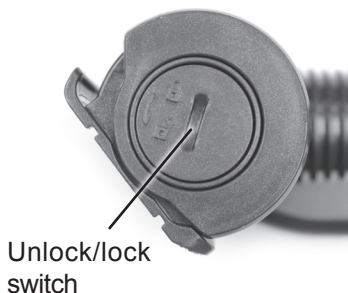
- Slide the sliding switch to open position, remove the roll brush from the floor brush housing.
- Remove the hairs or dust around the roll brush, rinse the roll brush with water gently, let it air-dry completely before reassemble.
- After cleaned, install the rolling brush inside the motorized floor brush. Make sure the rolling brush is proper seat in position. Slide the sliding switch to lock position.



NOTE: All accessories must dry thoroughly before installing into the appliance.

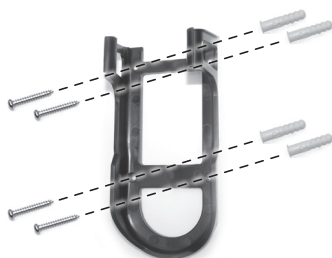
Clean the motorized bed brush

- Turn the unlock/ lock switch to unlock position and push out the roll brush.
- Remove the hairs or dust around the roll brush, rinse the roll brush with water gently, let it air-dry completely before reassemble.
- After cleaned, install the rolling brush inside the motorized bed brush. Make sure the rolling brush is proper seat in position. Turn the unlock/ lock switch to lock position.



Storage with Wall mount hanger

- After cleaning, you can store your appliance on the wall mount hanger. Position the wall mount hanger against the wall and mark the points at which the fastening screws are to be inserted. Using a drill, drill the holes for the screws, insert the plastic anchor provided, then hang the wall mount hanger on the screws, and tighten the screws up to their full extent.



PRODUCT SPECIFICATIONS

Model no.:	GVC22V
Voltage:	22.2V
Frequency:	50/60Hz
Output power:	15W
Charging time:	Approx.5.5 hours
Two Speed of run time:	25 mins (High) / 45 mins (Low)
Product Dimension (mm):	
Stick Vac with floor brush:	1200(W) x 180(H) x 255(D) mm
Handheld with bed brush:	580(W) x 180(H) x 255(D) mm
Handheld with 2-in-1 crevice nozzle:	540(W) x 180(H) x 120(D) mm

閱讀下列說明事項並請妥善保管，以供日後參考。

安全指引 - 一般安全

- 請按照這些說明事項, 使用本產品。
- 本產品僅供家用，不作商業用途。
- 使用前，請將所有包裝材料拆除。
- 0至8歲的兒童不應使用本產品。
- 超過8歲的兒童可使用本產品，但請勿由肢體不健全、感覺或精神上有障礙或缺乏相關經驗和知識的人使用，除非有負責他們安全的人對他們使用本產品進行監督或指導。
- 請務必看顧好兒童，以確保他們不玩耍本產品。
- 兒童不應清潔或維修本產品。
- 當需進行任何維修，必須由專業維修人員進行維修。永遠不要嘗試自己修理本產品。
- 手濕時不可以接觸電源插頭或本機。
- 主機不可以浸入水中。
- 兒童不可以把玩本機。
- 本機開著後不可以無人監管。
- 當本機開著時，頭髮、鬆身衣物、手指和身體其他部份都要離開本機。
- 只使用隨機附送的配件。

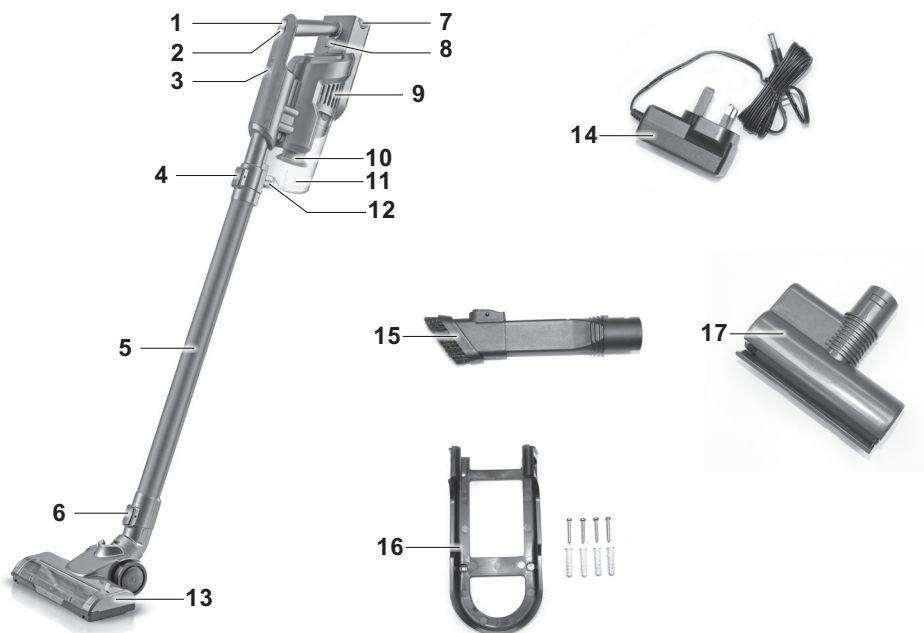
安全指引 - 電子和熱能產品

- 使用相符的電源和電壓，以防止觸電。
- 本產品只能使用帶接地線的電源插座。
- 當本產品不使用時，請從牆上的插座中拔掉插頭。
- 從牆上插座中拔掉插頭時，應拿著插頭而不是電源線。
- 確保本產品、電源線和插頭不與水接觸。
- 確保本產品、電源線和插頭不接觸發熱表面，如明火。
- 定期檢查本產品的電源線以確保其沒有損壞。如果電源線損壞，請勿使用其產品，並須由專業維修人員來更換，以避免出現任何危險。
- 切勿在易燃材料附近使用本產品。
- 本產品的某部分可能會發熱。不要觸摸這些部分，以防止燙傷自己。

安全指引 - 操作期間

- 請勿用潮溼的手插拔電源插頭或接觸本產品。
- 如果本產品落入水中，立即從插槽中拔下插頭，並且不要再次使用本產品。
- 切勿將本產品、電源線或插頭浸入水中或其他液體中。
- 使用後徹底清潔本產品 (請參閱“清潔和保養”)
- 不可吸入任何可能產生泡沫的洗滌劑或水溶液。
- 產品運作時，不可拆卸本產品。
- 確保塵網組件安裝好，才可使用本產品，否則可能造成損壞。
- 吸入口與通風口不得遮蓋或堵塞。不可阻塞所有開口，開口被阻塞時不可使用。
- 不可使用本產品吸入任何正在燃燒/燃點的物品，如燃點的香煙或煙灰。不可吸入任何爆炸性物質、易燃性物品、可燃性液體、高溫物品、毒性物質、有機溶劑、腐蝕性或強酸性物質。
- 不可吸入如玻璃碎片、釘子、石頭、針頭或刀片等邊緣銳利的物品。以免過濾器受損。
- 不可使用碗碟機清洗本產品的組件。
- 當棄置本產品和已移除內部電池後，切勿連接充電器。

部件示意圖



1. 開/關按鈕
2. 高/低速模式按鈕
3. 電池量及充電顯示燈
4. 金屬管釋放按鈕
5. 伸延金屬管
6. 地扒釋放按鈕
7. 電池及電池存放位置
8. 電池釋放按鈕
9. 出風口
10. 旋風器和過濾網
11. 塵箱
12. 塵箱釋放按鈕
13. 電動連LED探測燈地扒
14. 充電器
15. 2合1伸縮縫隙吸咀
16. 吸塵器掛牆架及螺絲套裝
17. 電動床刷

充電

在第一次使用吸塵機前，先把電池充電約5.5小時。需放置電池於機內充電。

注意：吸塵機在充電時不能正常工作。

- 當吸塵機充電時，電池量及充電顯示燈顯示藍燈閃爍，當電池量及充電顯示燈的3格藍燈長著時，表示電池已充滿電。
- 當3格藍色電池量及充電顯示燈轉至2或1格藍燈時，代表電池量將逐漸降低，當電池量逐漸降低至本機不能正常運作時，藍色電池量及充電顯示燈閃爍，需要再次充電。



更換電池

如果電池變得越來越弱，便需要更換新電池。按主機上的電池釋放按鈕。然後取出電池，再更換一個新的電池。



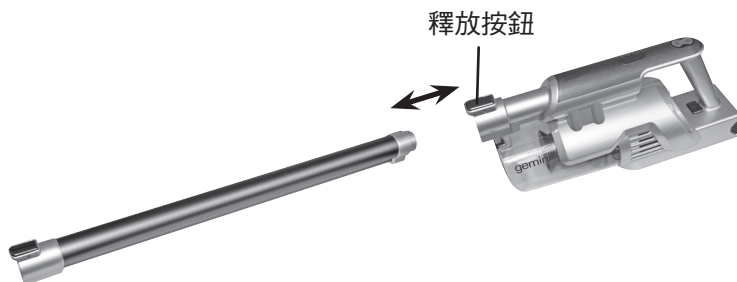
安裝及使用說明

充滿電後，按一下電源開/關按鈕“ O ”，吸塵機開始工作，並以高速(紅色燈亮起)模式工作；再按+/-調速模式按鈕，以低速(綠色燈亮起)操作模式工作；你可以根據不同的清潔位置來選擇速度，如果需要停止工作，按一下電源開/關按鈕“ O ”。

安裝和拆卸金屬管

安裝方法：將金屬管的末端插入主機，聽到“嚓”一聲後，金屬管便是安裝到位。

拆卸方法：一隻手按著金屬管釋放按鈕，另一隻手握著金屬管並將其移開，然後把金屬管卸下。



安裝和拆卸電動地扒

安裝方法：將金屬管的首端插入地扒，聽到“咔嚓”一聲後，電動地扒便是安裝到位。

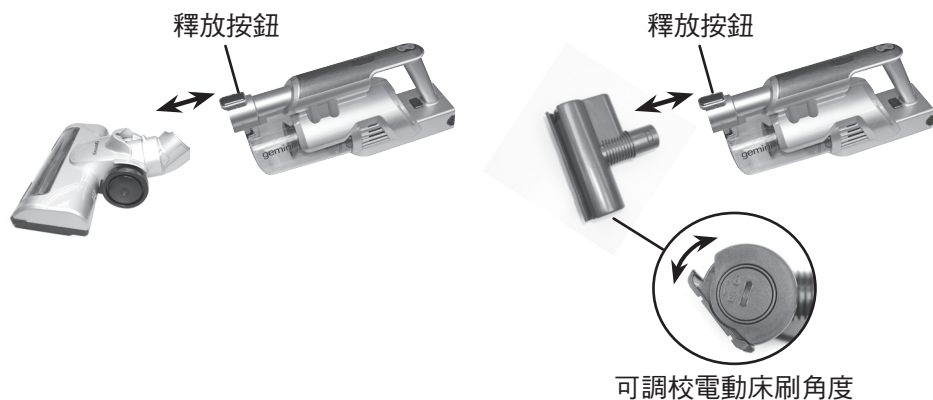
拆卸方法：一隻手按著金屬管釋放按鈕，另一隻手握著電動地扒，然後把電動地扒卸下。



電動地扒/床刷和主機連接

安裝方法：將電動地扒/床刷插入主機，聽到“咔嚓”一聲後，電動地扒/床刷便是安裝到位。

拆卸方法：一隻手按著主機釋放按鈕，另一隻手握著電動地扒/床刷，然後把電動地扒/床刷卸下。

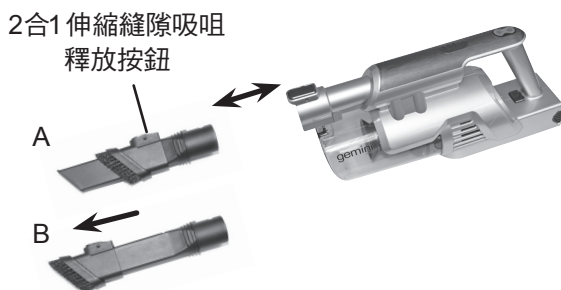


配件

2合1伸縮縫隙吸咀和主機連接

A：扁吸咀頭 - 用於清潔的地方，如窗框和縫隙等。

B：除塵毛刷 - 按下2合1伸縮縫隙吸咀釋放按鈕，再推出除塵毛刷，用於清潔凹凸及柔軟的表面，如傢俱、百葉窗簾等。

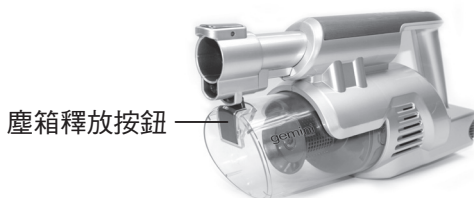


清潔和保養

清理塵箱

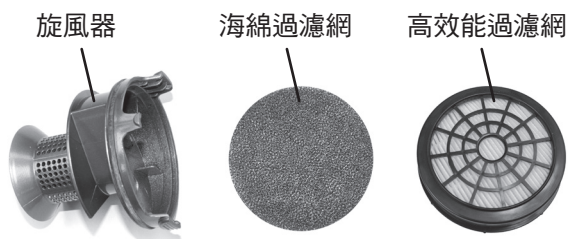
- 在清洗任何部件之前，確保吸塵機已關上。
- 按下塵箱前方的釋放按鈕，把塵箱及主機分離。
- 把塵箱內的垃圾清理。
- 如需要，可用乾淨水輕輕地沖走灰塵，待塵箱過濾器及過濾網完全清潔及完全風乾才裝回本機。

注意：過濾網可能在一段時間後被堵塞，而減弱吸力。因此，過濾網更換是很重要的。



清潔旋風器, 海綿過濾網, 高效能過濾網

- 當取出高效能過濾網時，同時取出海綿過濾網。
- 用乾淨水輕輕地在旋風器，海綿過濾網，高效能過濾網上沖走灰塵，待完全清潔及完全風乾才裝回本機。

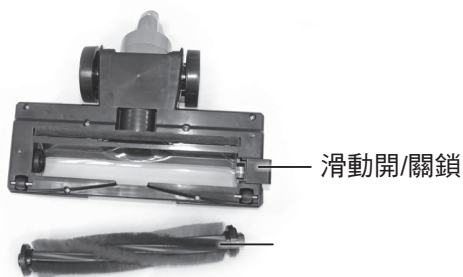


注意：如果旋風器及所有過濾網不完全風乾，剩餘的水分可能進入吸塵機內部，對吸塵機電路裝置造成損壞，影響吸力效果及使機器內部部件傳出異味。

清潔電動地扒

電動地扒可能會被大的物體阻擋，或者被頭髮或長線環繞。需要及時清理滾刷。

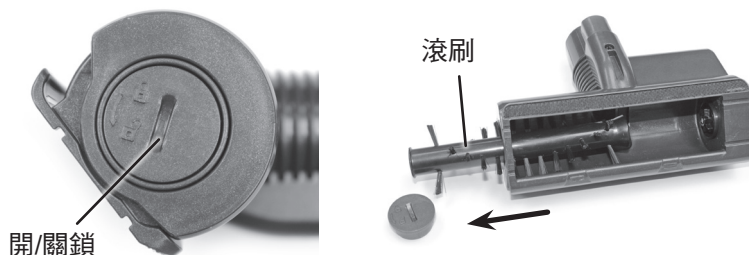
- 將滑動開/關鎖推至開鎖位置，把在地刷內的滾刷取出。
- 把所有毛髮及污塵清走，用乾淨水輕輕地沖走滾刷上的灰塵，待完全清潔及完全風乾才裝回電動地扒。
- 清理完畢後，需風乾再將滾刷安裝在電動地扒內。確保滾刷是裝回位置。將滑動開/關鎖推回鎖定位置。



注意：所有配件必須風乾完成後，才裝回機身。

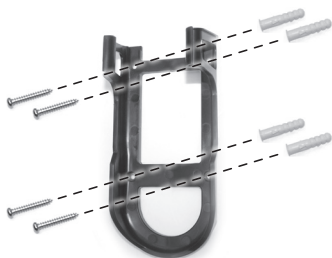
清潔電動床刷

- 將開/關鎖轉至開鎖位置，然後推出滾刷。
- 把所有毛髮及污塵清走，用乾淨水輕輕地沖走滾刷上的灰塵，待完全清潔及完全風乾才裝電動床刷。
- 清理完畢後，需風乾再將滾刷安裝在電動床刷內。確保滾刷是裝回位置。將開/關鎖推回鎖定位置。



掛牆式或直立式站立以便儲藏

清潔後，可將本產品存放在牆掛支架上。將掛牆支架靠在牆壁上並標記要插入緊固螺絲釘的位置。使用鑽頭鑽出螺釘孔，插入提供的膠塞，然後將掛牆支架釘在螺釘上，並將螺釘擰緊。



注意：如果過濾網不完全風乾，剩餘的水分可能進入吸塵機內部，對吸塵機電路裝置造成損壞，影響吸力效果及使機器內部部件傳出異味。

產品規格

型號：	GVC22V
電壓：	22.2V
頻率：	50/60Hz
功率：	15瓦
首要充電時間：	約5.5小時
電池使用時間：	25分鐘 (高速) / 45分鐘 (低速)
產品尺寸(毫米)：	
直立式吸塵機連地扒：	1200(闊) x 180(高) x 255(深) 毫米
手提式吸塵機連床刷：	580(闊) x 180(高) x 255(深) 毫米
手提式吸塵機連2合1伸縮縫隙吸咀：	540(闊) x 180(高) x 120(深) 毫米

請記錄下列產品資料

● 型號

● 機身編號

● 經銷商名稱

● 購買日期

本產品不斷改進中，如功能有所更改，恕不另行通知，如有疑問，請與客戶服務中心聯絡，不便之處，敬請原諒。

說明書內容以英文版本為準

ToolBox Customer Service Centre 客戶服務中心：

7/F., Goodwill Industrial Building, 36-44 Pak Tin Par Street, Tsuen Wan, N.T.
新界荃灣白田壩街36-44號信義工業大廈7樓

Customer Service Hotline 客戶服務熱線：(852) 8210 8210

Service E-mail 電郵地址：8210service@gilman-group.com

Please register now at 請即上網登記：www.toolbox.hk

Website 網址：www.gilman-group.com



Proudly Serviced by:



太平家庭電器

2/F, Shing Dao Industrial Building, 232 Aberdeen Main Road, Hong Kong
香港香港仔大道232號城都工業大廈2樓